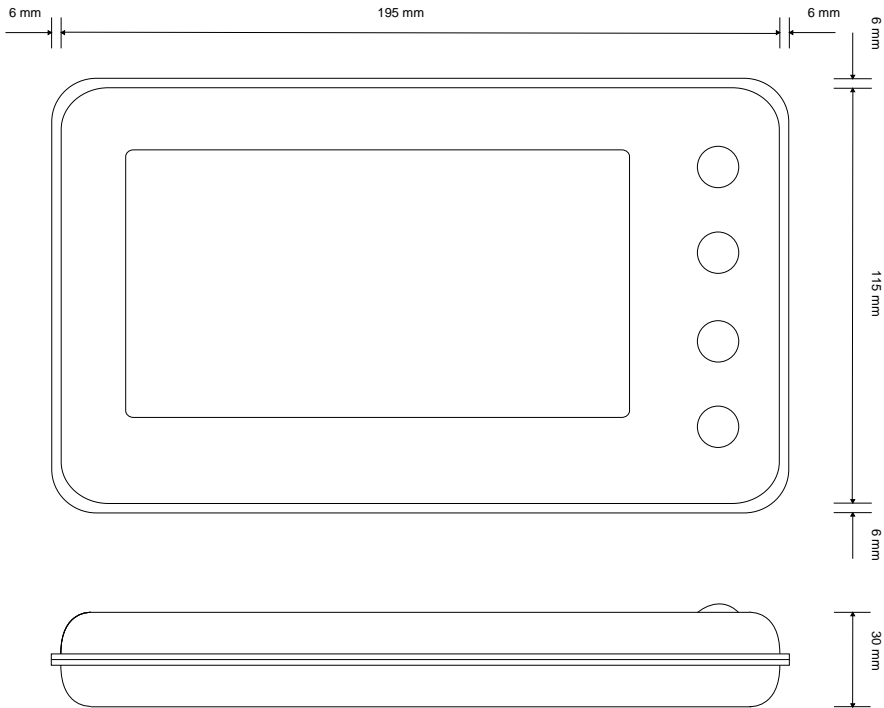
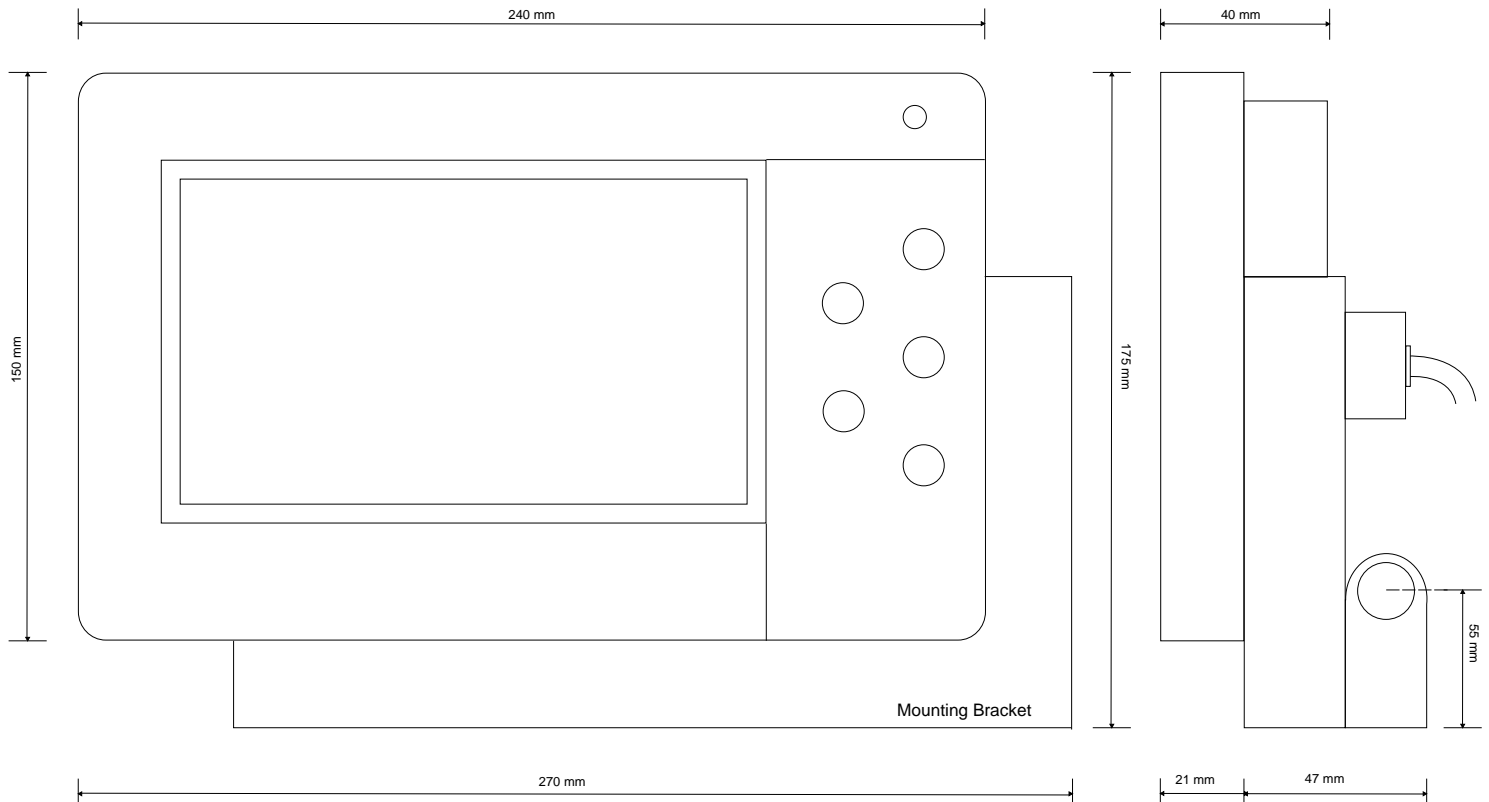


ECHOPILOT DISPLAY UNIT & TRANSDUCER DIMENSIONS

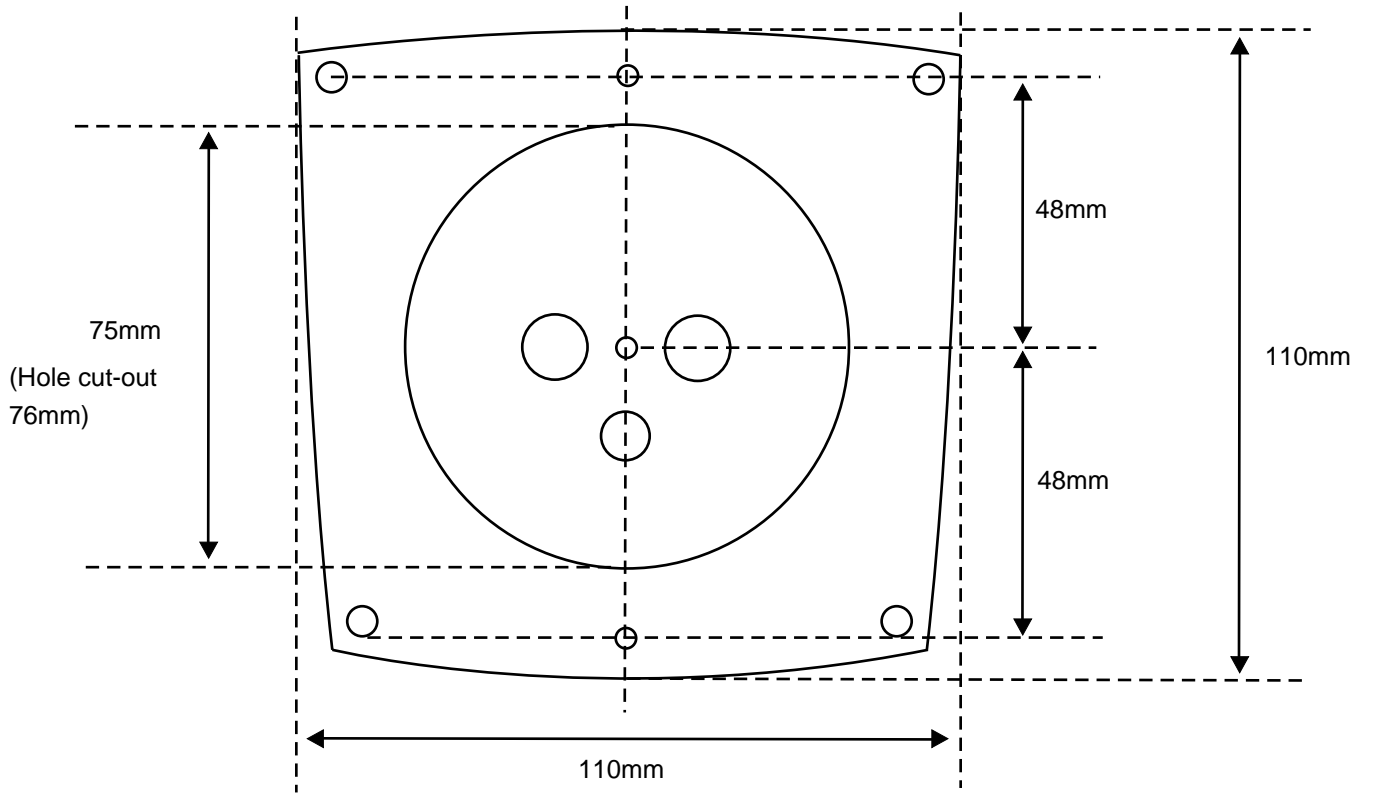
FLS SILVER/GOLD DIMENSIONS



FLS PLATINUM DIMENSIONS (With Mounting Bracket)

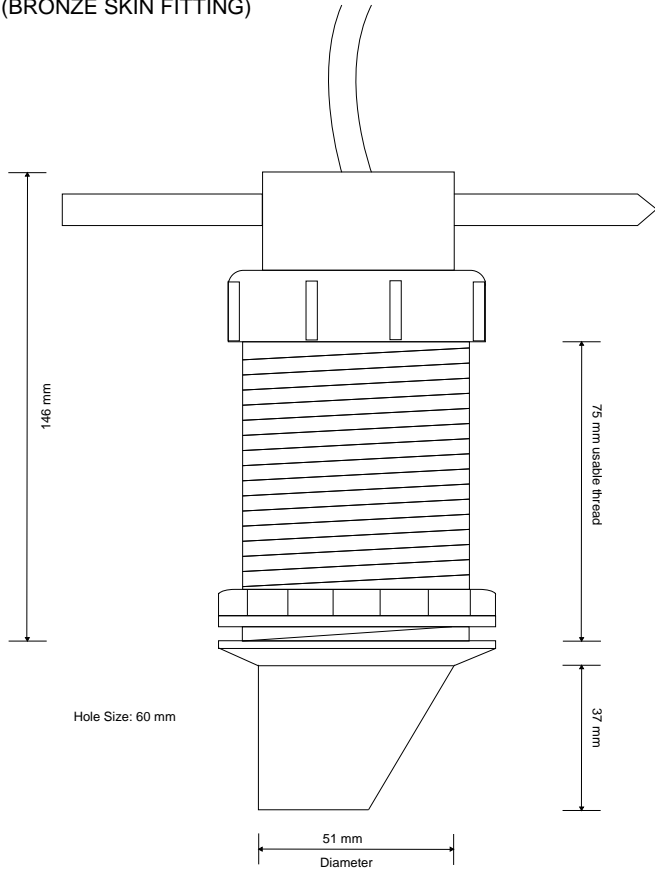


FLS BRONZE/BRONZE+/WINDMASTER DIMENSIONS

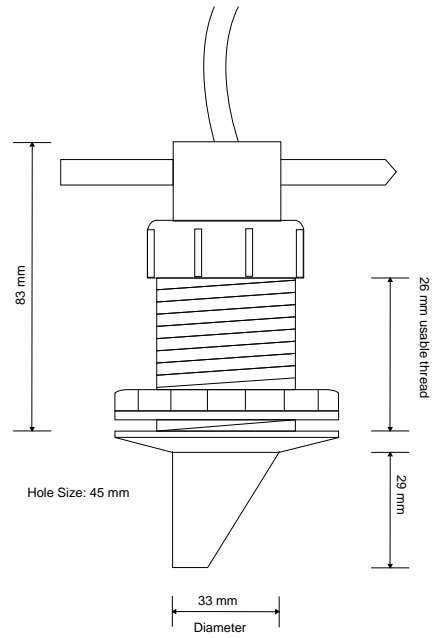


FLS TRANSDUCERS

PROFESSIONAL (BRONZE SKIN FITTING)



STANDARD (PLASTIC SKIN FITTING)



LOG TRANSDUCERS

PADDLE WHEEL (PLASTIC SKIN FITTING)

