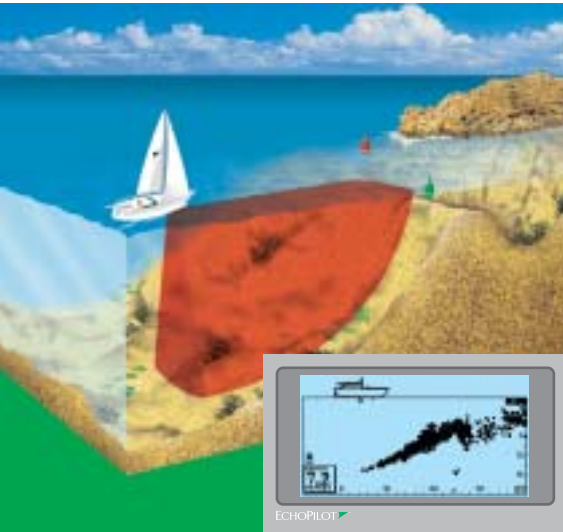




## FLS BRONZE Forward Looking Sonar

- 100m range (ahead)
- 50m range (down)
- Digital depth
- Forward alarm
- Flush mount waterproof case
- Choice of standard or professional transducers
- Transflective backlit LCD



For boats with not enough space (or budget!) to fit the FLS Silver or Gold our new FLS Bronze is the perfect solution. Housed in a 110 mm square case, the marine industry standard size, the Bronze will fit neatly into any existing line up of instruments. Forward looking technology in a space no larger than an old fashioned digital sounder.

The maximum forward range is 100 metres (or the equivalent in feet) and the ranges are 20m, 60m and 100m for the optimum view in different situations. The boat icon is set at 8m to give a convenient reference point when judging forward distances. The alarm settings are 2m or 4m and selection "alarms" the appropriate section of the screen right up to the maximum 100m forward range.

The newly designed custom display uses the latest LCD technology to provide a detailed view of the seabed terrain within a screen of 126 by 64 pixels. LED backlighting gives clear night time visibility.

Simple digital sounders show historical data, they may show a depth which is 10 to 15 seconds out of date and represents the seabed your boat passed over a hundred metres ago. The digital depth on the Bronze is an average of the first one-third of the screen ahead and so is far closer to the reality of what is under your boat right now.

Unique to the EchoPilot FLS Bronze is our

new depth memory feature. Seabed profile below and behind the boat icon is now shown on screen in addition to the forward view. On the 100 metre range the Bronze displays 100m forward and 25 metres behind.

The Bronze has simple 2 button control, one to select and scroll the menu and the other to change the items chosen. Range change is either automatic or with one touch of the right hand button. The slimline case is designed for flush mounting in the smartest instrument panel, pod or bulkhead. The exposed front of the instrument is waterproof.

### Bronze Standard or Bronze Professional?

Having chosen the EchoPilot Bronze for your boat the only remaining choice is which transducer is most appropriate. Our larger professional transducer comes with a bronze 2" BSP thru hull fitting and with 3" of useable thread is excellent for most larger boats. The standard transducer fits through a glass fibre Polypropylene thru-hull with 1" of useable thread. Most flat bottomed GRP hulls can take the standard transducer.

If however you have a thick hull, or a significant degree of dead rise requiring wedges or chocks to keep the transducer vertical then the professional is the choice to make.

10

20

30

40

18

15

10

5

## FLS BRONZE Forward Looking Sonar

### Performance?

Both work well. With its smaller face, the standard transducer offers slightly less drag and sometimes less turbulence. The professional transducer with its larger crystals has a narrower beam giving slightly greater range and better definition, (however compared side by side the standard picture often looks better as it's like painting with a broad paint brush). Both are designed to shear off if hit really hard by an

underwater obstruction without affecting the water tight integrity of the hull.

One final thing - remember you can not use two sounders or sonar at the same frequency on the same boat (or near another boat sometimes). One will transmit, the other will pick up its echo from the sea bed and both will be confused.

All EchoPilot vertical sounders run at 150KHz. All EchoPilot Forward Looking Sonars 200KHz so they work well together. Brookes and

Gatehouse use 183KHz (again compatible) but Raytheon use 200KHz so are not.

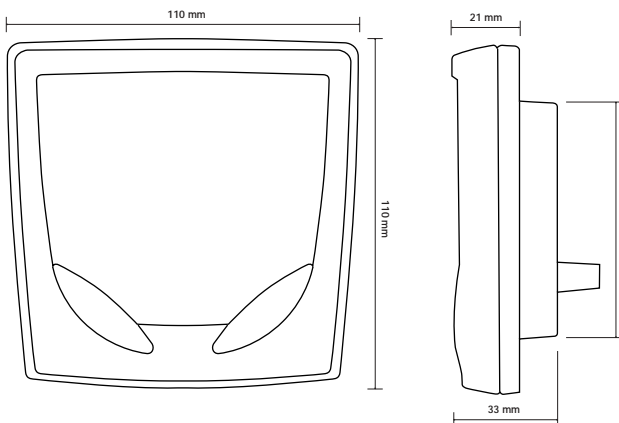
It is essential to fit a switch to disable any other sounder without an on/off switch working at 200KHz. And when using the other sounder switch the EchoPilot sonar off!

If you need any more help or advice phone or E-mail our factory or one of our distributors or dealers - we are here to help you.

### Technical specification

Voltage	Consumption	Frequency
12	150ma Max	200 KHz

### Dimensions



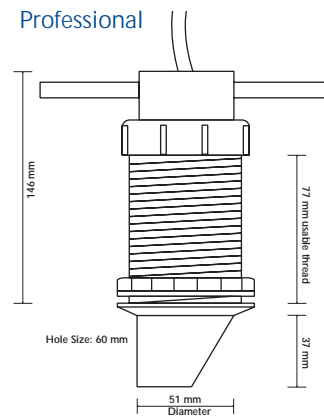
### Standard Kit

- Display
- Mounting kit
- Transducer (standard)
- or Transducer (professional)
- Thru-hull fittings & blanking cap

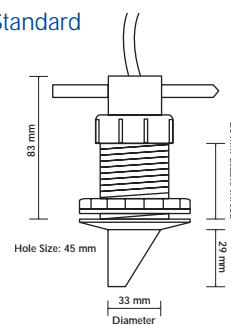
Shipping weight: FLS Bronze Standard 2.0Kg approx.  
 FLS Bronze Professional 4.0kg approx.

### Transducers

#### Professional



#### Standard



EchoPilot have a policy of continuous improvement and reserve the right to change specification

