

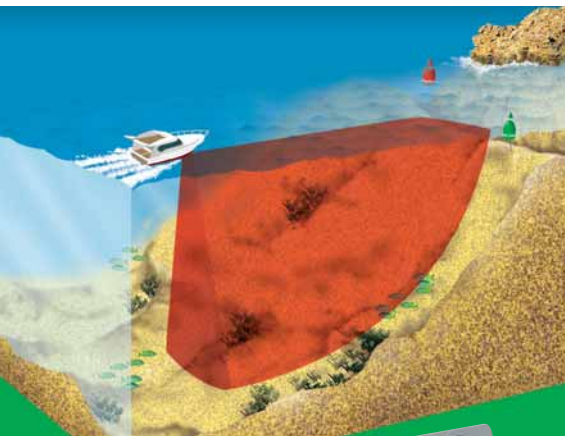


FLS Platinum Colour Forward Looking Sonar

- ➤ Colour Transflective TFT LCD
- ➤ Ethernet type Transducer Connection
- Max Range (ahead) 200m
- Max Range (down) 100m
- Digital Depth
- Speed Option
- Forward Alarm
- Optional Swivel Bracket
- Multiple Display Options
- Built in Simulator
- NMEA Input and Output



EchoPilot FLS Platinum Colour Forward Looking Sonar



The EchoPilot FLS Platinum offers all the best features of the EchoPilot Forward Sonar Range, now displayed on a full colour wide screen 1/4 VGA + screen.

The colour screen LCD, manufactured for us by Sharp, was chosen after a summer of trials and offers the best contrast and viewability of all that we tried.

The benefits of colour, apart from being visually more pleasing, include being able to gain much more information about the nature of the sea bed. Stronger echoes give different colours. Different fields or types of information are shown in contrasting colours, enabling the navigator to assimilate information much faster.

The video output option is planned for 2006 giving you the option of displaying forward sonar information on any suitable radar/plotter display that has a video input.

Operation can be fully automatic with range and gain self adjusting, or the skipper can override either or both.

GPS Repeater Screens are available for vessels with the master GPS located at a different station.

The EchoPilot FLS Platinum is the culmination of all the experience from 12 years of research and manufacture of forward looking sonars, and is, we believe, the best sonar available regardless of price.



10

20

30

40

5

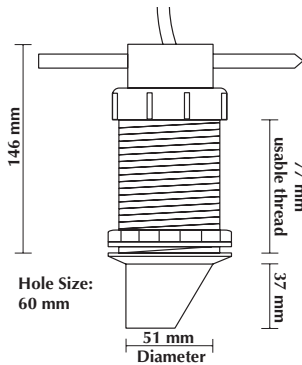
10

15

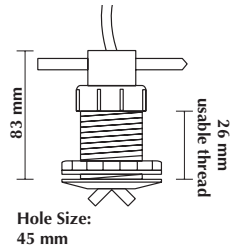
20

FLS Platinum Colour Forward Looking Sonar

Transducers



Log Transducer



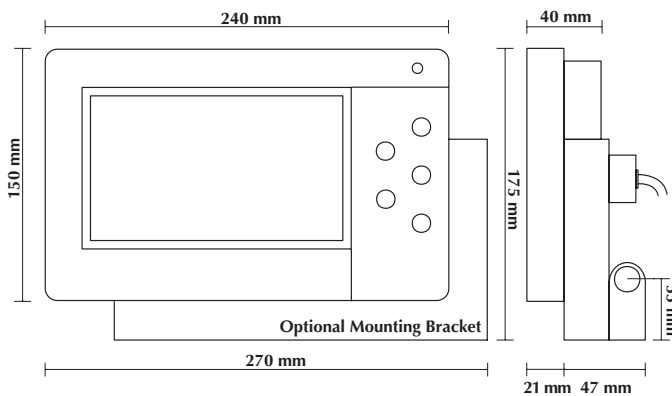
Technical Specification

Voltage	Consumption	Frequency	NMEA in/out
12 or 24v	400ma	200 KHz	0183 (ver 2.0)

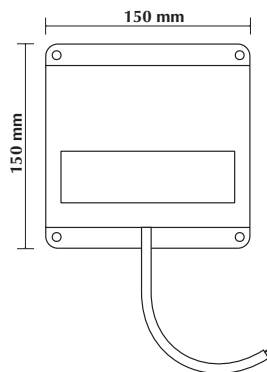
Cable Lengths

- Transducer to transmitter box: 2m
- Data cable (transmitter box to display and display to display): 12m
(Longer data cables available by special order)

Dimensions



Transmitter Box



NMEA Accepted Input / Output Sentences

BWC	RMB
BWR	RMC
DBT	VHW
DPT	VLW
GGA	VTG
GLL	ZDA
RMA	

If you need any more help or advice phone or E-mail our factory or one of our distributors or dealers - we are here to help you.

Standard Kit

- Display
- Power & NMEA cable
- Data cable
- Transducer
- Thru-hull fitting & blanking cap
- Shipping weight: 4.5kg approx.
volume: 21x13x62cm
17,000cc
- White protective cover for display
- Transmitter box

Options

- Repeater display
- Mounting bracket
- Speed kit
- Spare transducer
- 2nd transducer kit with change over switch

EchoPilot have a policy of continuous improvement and reserve the right to change specification

